

CSCI-1200 Data Structures — Fall 2022

Lecture 5 — Pointers & Dynamic Memory

Announcements: Test 1 Information

- Test 1 will be held **Thursday, Sept 22nd, 2022 from 6:00-7:50pm.**
 - Students will be randomly assigned to a test room, section, row, and seat. This is not the room listed on your SIS class schedule. Test 1 seat assignments will be posted Tuesday, Sept 20th.
 - All students should indicate their right- or left-handedness through the Submittly gradeable “Left-/Right- Handed Exam Seating” by Monday, Sept 19th so they get an appropriate seat assignment.
 - No make-ups will be given except for pre-approved absence or emergency or illness, and a written excuse from the Dean of Students or the Student Experience office or the RPI Health Center will be required.
 - If you have a letter from Disability Services for Students and you have not already emailed it to ds_instructors@cs.rpi.edu, please do so IMMEDIATELY. Shianne Hulbert will be in contact to make arrangements for your test accommodations.
- Coverage: Lectures 1-6, Labs 1-4, and Homeworks 1-2.
 - Practice problems from previous tests are available on the course website.
 - Sample solutions to the practice problems will be posted on Wednesday morning.
 - The best way to prepare is to completely work through and write out your solution to each problem, *before* looking at the answers.
 - You should practice timing yourself as well. The test will be 110 minutes and there will be 100 points. If a problem is worth 25 points, budgeting 25 minutes for yourself to solve the problem is a good time management technique.
 - The exam will be handwritten on paper, you’re also encouraged to practice *legibly* handwriting your answers to the practice problems on paper.
- OPTIONAL: Prepare a 2 page, black & white, 8.5x11”, portrait orientation .pdf of notes you would like to have during the test. This may be digitally prepared or handwritten and scanned or photographed. The file may be no bigger than 2MB. You will upload this file to Submittly gradeable “Test 1 Notes Page (Optional)” before Wednesday Sept 21st @11:59pm. We will print this and attach it to your test. No other notes may be used during the test.
- Additional Notes:
 - Please use the restroom before entering the exam room. Except for emergencies, students must remain in their seats until they are ready to turn in their exam.
 - Bring your Rensselaer photo ID card. We will be checking IDs when you turn in your exam.
 - Bring your own pencil(s) & eraser (pens are ok, but not recommended). The test *will* involve handwriting code on paper (and other short answer problem solving). Neat legible handwriting is appreciated. We will be somewhat forgiving to minor syntax errors – it will be graded by humans not computers :)
 - Do not bring your own scratch paper. The exam packet will include sufficient scratch paper.
 - Computers, cell-phones, smart watches, calculators, music players, etc. are not permitted. Please do not bring your laptop, books, backpack, etc. to the test room – leave everything in your dorm room. *Unless you are coming directly from another class or sports/club meeting.*

Review from Lecture 4 & Lab 3

- Pointer variables, arrays, pointer arithmetic and dereferencing, character arrays, and calling conventions.

Today’s Lecture — Pointers and Dynamic Memory

- Different types of memory allocation: automatic/stack, static, dynamic
- Drawing pictures of *dynamically-allocated memory*
- Dynamic allocation of arrays
- Memory Debuggers

5.1 Three Types of Memory

- Automatic memory: memory allocation inside a function when you create a variable. This allocates space for local variables in functions (on the *stack*) and deallocates it when variables go out of scope. For example:

```
int x;  
double y;
```

- Static memory: variables allocated statically (with the keyword `static`). They are not eliminated when they go out of scope. They retain their values, but are only accessible within the scope where they are defined. *NOTE: Static variables are not very common.*

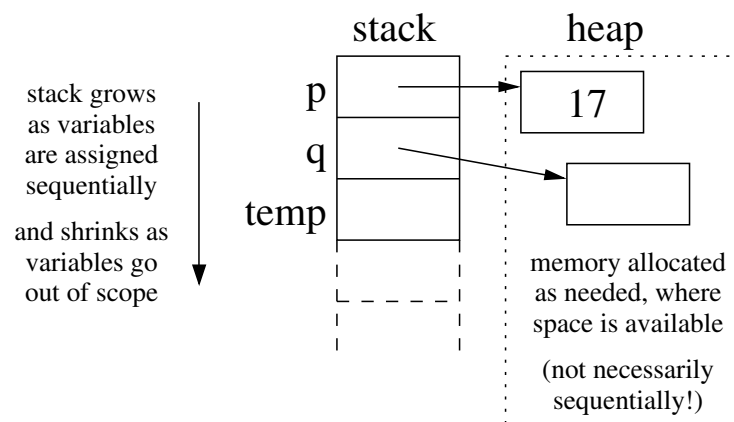
```
static int counter;
```

- Dynamic memory: explicitly allocated (on the *heap*) as needed. This is our focus for today.

5.2 Dynamic Memory

- Dynamic memory is:
 - created using the `new` operator,
 - accessed through pointers, and
 - removed through the `delete` operator.
- Here's a simple example involving dynamic allocation of integers:

```
int * p = new int;  
*p = 17;  
cout << *p << endl;  
int * q;  
q = new int;  
*q = *p;  
*p = 27;  
cout << *p << " " << *q << endl;  
int * temp = q;  
q = p;  
p = temp;  
cout << *p << " " << *q << endl;  
delete p;  
delete q;
```



- The expression `new int` asks the system for a new chunk of memory that is large enough to hold an integer and returns the address of that memory. Therefore, the statement `int * p = new int;` allocates memory from the heap and stores its address in the pointer variable `p`.
- The statement `delete p;` takes the integer memory pointed by `p` and returns it to the system for re-use.
- This memory is allocated from and returned to a special area of memory called the *heap*. By contrast, local variables and function parameters are placed on the *stack* as discussed last lecture.
- In between the `new` and `delete` statements, the memory is treated just like memory for an ordinary variable, except the only way to access it is through pointers. Hence, the manipulation of pointer variables and values is similar to the examples covered in Lecture 5 except that there is no explicitly named variable for that memory other than the pointer variable.
- Dynamic allocation of primitives like ints and doubles is not very interesting or significant. What's more important is dynamic allocation of arrays and objects.

5.3 Exercise

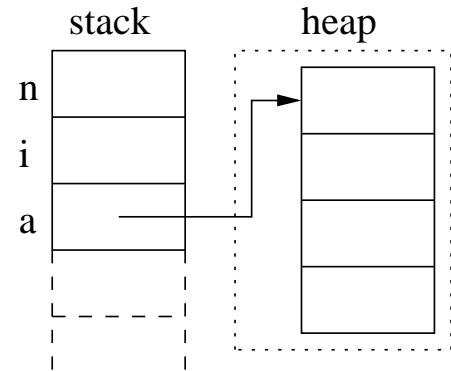
- What's the output of the following code? Be sure to draw a picture to help you figure it out.

```
double * p = new double;
*p = 35.1;
double * q = p;
cout << *p << " " << *q << endl;
p = new double;
*p = 27.1;
cout << *p << " " << *q << endl;
*q = 12.5;
cout << *p << " " << *q << endl;
delete p;
delete q;
```

5.4 Dynamic Allocation of Arrays

- How do we allocate an array on the stack? What is the code? What memory diagram is produced by the code?
- Declaring the size of an array at compile time doesn't offer much flexibility. Instead we can *dynamically* allocate an array based on data. This gets us part-way toward the behavior of the standard library vector class. Here's an example:

```
int main() {
    std::cout << "Enter the size of the array: ";
    int n,i;
    std::cin >> n;
    double *a = new double[n];
    for (i=0; i<n; ++i) { a[i] = sqrt(i); }
    for (i=0; i<n; ++i) {
        if ( double(int(a[i])) == a[i] )
            std::cout << i << " is a perfect square " << std::endl;
    }
    delete [] a;
    return 0;
}
```



- The expression `new double[n]` asks the system to *dynamically* allocate enough consecutive memory to hold n double's (usually $8n$ bytes).
 - What's crucially important is that n is a variable. Therefore, its value and, as a result, the size of the array are not known until the program is executed and the the memory must be allocated dynamically.
 - The address of the start of the allocated memory is assigned to the pointer variable `a`.
- After this, `a` is treated as though it is an array. For example: `a[i] = sqrt(i);`
In fact, the expression `a[i]` is exactly equivalent to the pointer arithmetic and dereferencing expression `*(a+i)` which we have seen several times before.
- After we are done using the array, the line: `delete [] a;` releases the memory allocated for the entire array *and* calls the destructor (we'll learn about these soon!) for each slot of the array. Deleting a dynamically allocated array without the `[]` is an error (but it may not cause a crash or other noticeable problem, depending on the type stored in the array and the specific compiler implementation).
 - Since the program is ending, releasing the memory is not a major concern. However, to demonstrate that you understand memory allocation & deallocation, you should *always* delete dynamically allocated memory in this course to demonstrate your understanding of heap memory, even if the program is terminating.
 - In more substantial programs it is **ABSOLUTELY CRUCIAL**. If we forget to release memory repeatedly the program can be said to have a *memory leak*. Long-running programs with memory leaks will eventually run out of memory and crash.

5.5 Exercises

1. Write code to dynamically allocate an array of n integers, point to this array using the integer pointer variable `a`, and then read n values into the array from the stream `cin`.

2. Now, suppose we wanted to write code to double the size of array `a` without losing the values. This requires some work: First allocate an array of size $2*n$, pointed to by integer pointer variable `temp` (which will become `a`). Then copy the n values of `a` into the first n locations of array `temp`. Finally delete array `a` and assign `temp` to `a`.

Why don't you need to delete `temp`?

Note: The code for part 2 of the exercise is very similar to what happens inside the `resize` member function of vectors!

5.6 Dynamic Allocation of Two-Dimensional Arrays

- To store a grid of data, we will need to allocate a top level array of pointers to arrays of the data. For example:

```
double** a = new double*[rows];
for (int i = 0; i < rows; i++) {
    a[i] = new double[cols];
    for (int j = 0; j < cols; j++) {
        a[i][j] = double(i+1) / double (j+1);
    }
}
```

Draw a picture of the resulting data structure.
Then, write code to correctly delete all of this memory.

5.7 Dynamic Allocation: Arrays of Class Objects

- We can dynamically allocate arrays of class objects. The default constructor (the constructor that takes no arguments) must be defined in order to allocate an array of objects.

```
class Foo {
public:
    Foo();
    double value() const { return a*b; }
private:
    int a;
    double b;
};

Foo::Foo() {
    static int counter = 1;
    a = counter;
    b = 100.0;
    counter++;
}

int main() {
    int n;
    std::cin >> n;
    Foo *things = new Foo[n];
    std::cout << "size of int: " << sizeof(int) << std::endl;
    std::cout << "size of double: " << sizeof(double) << std::endl;
    std::cout << "size of foo object: " << sizeof(Foo) << std::endl;
    for (Foo* i = things; i < things+n; i++)
        std::cout << "Foo stored at: " << i << " has value " << i->value() << std::endl;
    delete [] things;
}
```

```
size of int: 4
size of double: 8
size of foo object: 16
Foo stored at: 0x104800890 has value 100
Foo stored at: 0x1048008a0 has value 200
Foo stored at: 0x1048008b0 has value 300
Foo stored at: 0x1048008c0 has value 400
...
```

5.8 Memory Debugging

In addition to the step-by-step debuggers like `gdb`, `lldb`, or the debugger in your IDE, we recommend using a memory debugger like “Dr. Memory” (Windows, Linux, and MacOSX) or “Valgrind” (Linux and MacOSX). These tools can detect the following problems:

- Use of uninitialized memory
- Reading/writing memory after it has been free'd (*NOTE: delete calls free*)
- Reading/writing off the end of malloc'd blocks (*NOTE: new calls malloc*)
- Reading/writing inappropriate areas on the stack
- Memory leaks - where pointers to malloc'd blocks are lost forever
- Mismatched use of `malloc/new/new []` vs `free/delete/delete []`
- Overlapping `src` and `dst` pointers in `memcpy()` and related functions

5.9 Sample Buggy Program

Can you see the errors in this program?

```
1 #include <iostream>
2
3 int main(){
4
5     int *p = new int;
6     if (*p != 10) std::cout << "hi" << std::endl;
7
8     int *a = new int[3];
9     a[3] = 12;
10    delete a;
11
12 }
```

5.10 Using Dr. Memory <http://www.drmemory.org>

Here's how Dr. Memory reports the errors in the above program:

```
~~Dr.M~~ Dr. Memory version 1.8.0
~~Dr.M~~
~~Dr.M~~ Error #1: UNINITIALIZED READ: reading 4 byte(s)
~~Dr.M~~ # 0 main [memory_debugger_test.cpp:6]
hi
~~Dr.M~~
~~Dr.M~~ Error #2: UNADDRESSABLE ACCESS beyond heap bounds: writing 4 byte(s)
~~Dr.M~~ # 0 main [memory_debugger_test.cpp:9]
~~Dr.M~~ Note: refers to 0 byte(s) beyond last valid byte in prior malloc
~~Dr.M~~
~~Dr.M~~ Error #3: INVALID HEAP ARGUMENT: allocated with operator new[], freed with operator delete
~~Dr.M~~ # 0 replace_operator_delete [/drmmemory_package/common/alloc_replace.c:2684]
~~Dr.M~~ # 1 main [memory_debugger_test.cpp:10]
~~Dr.M~~ Note: memory was allocated here:
~~Dr.M~~ Note: # 0 replace_operator_new_array [/drmmemory_package/common/alloc_replace.c:2638]
~~Dr.M~~ Note: # 1 main [memory_debugger_test.cpp:8]
~~Dr.M~~
~~Dr.M~~ Error #4: LEAK 4 bytes
~~Dr.M~~ # 0 replace_operator_new [/drmmemory_package/common/alloc_replace.c:2609]
~~Dr.M~~ # 1 main [memory_debugger_test.cpp:5]
~~Dr.M~~
~~Dr.M~~ ERRORS FOUND:
~~Dr.M~~     1 unique,      1 total unaddressable access(es)
~~Dr.M~~     1 unique,      1 total uninitialized access(es)
```

```

~~Dr.M~~      1 unique,      1 total invalid heap argument(s)
~~Dr.M~~      0 unique,      0 total warning(s)
~~Dr.M~~      1 unique,      1 total,      4 byte(s) of leak(s)
~~Dr.M~~      0 unique,      0 total,      0 byte(s) of possible leak(s)
~~Dr.M~~ Details: /DrMemory-MacOS-1.8.0-8/drmemory/logs/DrMemory-a.out.7726.000/results.txt

```

And the fixed version:

```

~~Dr.M~~ Dr. Memory version 1.8.0
hi
~~Dr.M~~
~~Dr.M~~ NO ERRORS FOUND:
~~Dr.M~~      0 unique,      0 total unaddressable access(es)
~~Dr.M~~      0 unique,      0 total uninitialized access(es)
~~Dr.M~~      0 unique,      0 total invalid heap argument(s)
~~Dr.M~~      0 unique,      0 total warning(s)
~~Dr.M~~      0 unique,      0 total,      0 byte(s) of leak(s)
~~Dr.M~~      0 unique,      0 total,      0 byte(s) of possible leak(s)
~~Dr.M~~ Details: /DrMemory-MacOS-1.8.0-8/drmemory/logs/DrMemory-a.out.7762.000/results.txt

```

Note: Dr. Memory on Windows with the Visual Studio compiler may not report a mismatched `free()` / `delete` / `delete []` error (e.g., line 10 of the sample code above). This may happen if optimizations are enabled and the objects stored in the array are simple and do not have their own dynamically-allocated memory that lead to their own indirect memory leaks.

5.11 Using Valgrind <http://valgrind.org/>

And this is how Valgrind reports the same errors:

```

==31226== Memcheck, a memory error detector
==31226== Copyright (C) 2002-2013, and GNU GPL'd, by Julian Seward et al.
==31226== Using Valgrind-3.9.0 and LibVEX; rerun with -h for copyright info
==31226== Command: ./a.out
==31226==
==31226== Conditional jump or move depends on uninitialised value(s)
==31226==    at 0x40096F: main (memory_debugger_test.cpp:6)
==31226==
hi
==31226== Invalid write of size 4
==31226==    at 0x4009A3: main (memory_debugger_test.cpp:9)
==31226== Address 0x4c3f09c is 0 bytes after a block of size 12 alloc'd
==31226==    at 0x4A0700A: operator new[](unsigned long) (in /usr/lib64/valgrind/vgpreload_memcheck-amd64-linux.so)
==31226==    by 0x400996: main (memory_debugger_test.cpp:8)
==31226==
==31226== Mismatched free() / delete / delete []
==31226==    at 0x4A07991: operator delete(void*) (in /usr/lib64/valgrind/vgpreload_memcheck-amd64-linux.so)
==31226==    by 0x4009B4: main (memory_debugger_test.cpp:10)
==31226== Address 0x4c3f090 is 0 bytes inside a block of size 12 alloc'd
==31226==    at 0x4A0700A: operator new[](unsigned long) (in /usr/lib64/valgrind/vgpreload_memcheck-amd64-linux.so)
==31226==    by 0x400996: main (memory_debugger_test.cpp:8)
==31226==
==31226==
==31226== HEAP SUMMARY:
==31226==    in use at exit: 4 bytes in 1 blocks
==31226== total heap usage: 2 allocs, 1 frees, 16 bytes allocated
==31226==
==31226== 4 bytes in 1 blocks are definitely lost in loss record 1 of 1
==31226==    at 0x4A06965: operator new(unsigned long) (in /usr/lib64/valgrind/vgpreload_memcheck-amd64-linux.so)
==31226==    by 0x400961: main (memory_debugger_test.cpp:5)
==31226==
==31226== LEAK SUMMARY:
==31226==    definitely lost: 4 bytes in 1 blocks

```

```

==31226==   indirectly lost: 0 bytes in 0 blocks
==31226==     possibly lost: 0 bytes in 0 blocks
==31226==   still reachable: 0 bytes in 0 blocks
==31226==     suppressed: 0 bytes in 0 blocks
==31226==
==31226== For counts of detected and suppressed errors, rerun with: -v
==31226== Use --track-origins=yes to see where uninitialised values come from
==31226== ERROR SUMMARY: 4 errors from 4 contexts (suppressed: 2 from 2)

```

And here's what it looks like after fixing those bugs:

```

==31252== Memcheck, a memory error detector
==31252== Copyright (C) 2002-2013, and GNU GPL'd, by Julian Seward et al.
==31252== Using Valgrind-3.9.0 and LibVEX; rerun with -h for copyright info
==31252== Command: ./a.out
==31252==
hi
==31252==
==31252== HEAP SUMMARY:
==31252==   in use at exit: 0 bytes in 0 blocks
==31252== total heap usage: 2 allocs, 2 frees, 16 bytes allocated
==31252==
==31252== All heap blocks were freed -- no leaks are possible
==31252==
==31252== For counts of detected and suppressed errors, rerun with: -v
==31252== ERROR SUMMARY: 0 errors from 0 contexts (suppressed: 2 from 2)

```

5.12 How to use a memory debugger

- Detailed instructions on installation & use of these tools are available here: http://www.cs.rpi.edu/academics/courses/fall22/csci1200/memory_debugging.php
- **Memory errors** (uninitialized memory, out-of-bounds read/write, use after free) may cause seg faults, crashes, or strange output.
- **Memory leaks** on the other hand will never cause incorrect output, but your program will be inefficient and hog system resources. A program with a memory leak may waste so much memory it causes all programs on the system to slow down significantly or it may crash the program or the whole operating system if the system runs out of memory (this takes a while on modern computers with lots of RAM & harddrive space).
- For many future homeworks, Submittity will be configured to run your code with Dr. Memory to search for memory problems and present the output with the submission results. For full credit your program must be memory error and memory leak free!
- A program that seems to run perfectly fine on one computer may still have significant memory errors. Running a memory debugger will help find issues that might break your homework on another computer or when submitted to the homework server.
- **Important Note:** When these tools find a memory leak, they point to the line of code where this memory was *allocated*. These tools does not understand the program logic and thus obviously cannot tell us where it *should* have been deleted.
- A final note: STL and other 3rd party libraries are highly optimized and sometimes do sneaky but correct and bug-free tricks for efficiency that confuse the memory debugger. For example, because the STL string class uses its own allocator, there may be a warning about memory that is “still reachable” even though you’ve deleted all your dynamically allocated memory. The memory debuggers have automatic suppressions for some of these known “false positives”, so you will see this listed as a “suppressed leak”. So don’t worry if you see those messages.

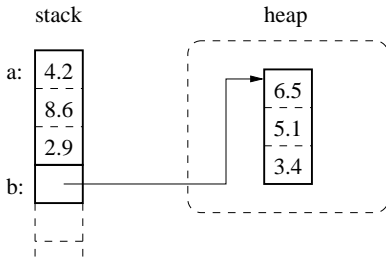
5.13 Diagramming Memory Exercises

- Draw a diagram of the *heap* and *stack* memory for each segment of code below. Use a “?” to indicate that the value of the memory is uninitialized. Indicate whether there are any errors or memory leaks during execution of this code.

```
class Foo {
public:
    double x;
    int* y;
};
Foo a;
a.x = 3.14159;
Foo *b = new Foo;
(*b).y = new int[2];
Foo *c = b;
a.y = b->y;
c->y[1] = 7;
b = NULL;
```

```
int a[5] = { 10, 11, 12, 13, 14 };
int *b = a + 2;
*b = 7;
int *c = new int[3];
c[0] = b[0];
c[1] = b[1];
c = &(a[3]);
```

- Write code to produce this diagram:



5.14 Solutions to Diagramming Memory Exercises

There is a memory leak of 3 ints in this program.

```
double a[3];
double *b = new double[3];
a[0] = 4.2;
a[1] = 8.6;
a[2] = 2.9;
b[0] = 6.5;
b[1] = 5.1;
b[2] = 3.4;
```

