

# CSCI-1200 Data Structures — Spring 2014

## Lecture 19 – Hash Tables

### Announcements: Test 3 Information

- Test 3 will be held Monday, April 14th from 6-7:50pm in DCC 308 (Sections 1-5 & 7-9) and DCC 337 (Sections 6 & 10). No make-ups will be given except for emergency situations, and even then a written excuse from the Dean of Students or the Office of Student Experience will be required.
- Coverage: Lectures 1-19, Labs 1-10, HW 1-8.
- Closed-book and closed-notes *except for 1 sheet of notes on 8.5x11 inch paper (front & back) that may be handwritten or printed*. Computers, cell-phones, calculators, PDAs, music players, etc. are not permitted and must be turned off. All students must bring their Rensselaer photo ID card.
- Practice problems from previous exams are available on the course website. Solutions to the problems will be posted a day or two before the exam.

### Review from Lecture 18

- Tree height, longest-shortest paths, breadth-first search
- Erase with parent pointers, increment operation on iterators
- Limitations of our `ds_set` implementation, brief intro to red-black trees

### Today's Lecture

- Hash Tables, Hash Functions, and Collision Resolution
- Hash Table Performance, Binary Search Trees vs. Hash Tables
- Collision resolution: separate chaining vs open addressing
- Using a hash table to implement a `set`, Function objects, Iterators, `find`, `insert`, and `erase`

### 19.1 Definition: What's a Hash Table?

- A table implementation with *constant time access*.
  - Like a `set`, we can store elements in a collection. Or like a `map`, we can store key-value pair associations in the hash table. But it's even faster to do `find`, `insert`, and `erase` with a hash table! However, hash tables *do not* store the data in sorted order.
- A hash table is implemented with an array at the top level.
- Each element or key is mapped to a slot in the array by a *hash function*.

### 19.2 Definition: What's a Hash Function?

- A simple function of one argument (the key) which returns an integer index (a bucket or slot in the array).
- Ideally the function will “uniformly” distribute the keys throughout the range of legal index values ( $0 \rightarrow k-1$ ).
- **What's a collision?**  
When the hash function maps multiple (different) keys to the same index.
- **How do we deal with collisions?**  
One way to resolve this is by storing a linked list of values at each slot in the array.

### 19.3 Example: Caller ID

- We are given a phonebook with 50,000 name/number pairings. Each number is a 10 digit number. We need to create a data structure to lookup the name matching a particular phone number. Ideally, name lookup should be  $O(1)$  time expected, and the caller ID system should use  $O(n)$  memory ( $n = 50,000$ ).

- Note: In the toy implementations that follow we use small datasets, but we should evaluate the system scaled up to handle the large dataset.
- The basic interface:

```
// add several names to the phonebook
add(phonebook, 1111, "fred");
add(phonebook, 2222, "sally");
add(phonebook, 3333, "george");
// test the phonebook
std::cout << identify(phonebook, 2222) << " is calling!" << std::endl;
std::cout << identify(phonebook, 4444) << " is calling!" << std::endl;
```

- We'll review how we solved this problem in Lab 9 with an STL vector then an STL map. Finally, we'll implement the system with a hash table.

### 19.4 Caller ID with an STL Vector

```
// create an empty phonebook
std::vector<std::string> phonebook(10000, "UNKNOWN CALLER");

void add(std::vector<std::string> &phonebook, int number, std::string name) {
    phonebook[number] = name; }

std::string identify(const std::vector<std::string> &phonebook, int number) {
    return phonebook[number];}
```

**Exercise:** What's the memory usage for the vector-based Caller ID system?  
 What's the expected running time for find, insert, and erase?

### 19.5 Caller ID with an STL Map

```
// create an empty phonebook
std::map<int, std::string> phonebook;

void add(std::map<int, std::string> &phonebook, int number, std::string name) {
    phonebook[number] = name; }

std::string identify(const std::map<int, std::string> &phonebook, int number) {
    map<int, std::string>::const_iterator tmp = phonebook.find(number);
    if (tmp == phonebook.end()) return "UNKNOWN CALLER"; else return tmp->second;
}
```

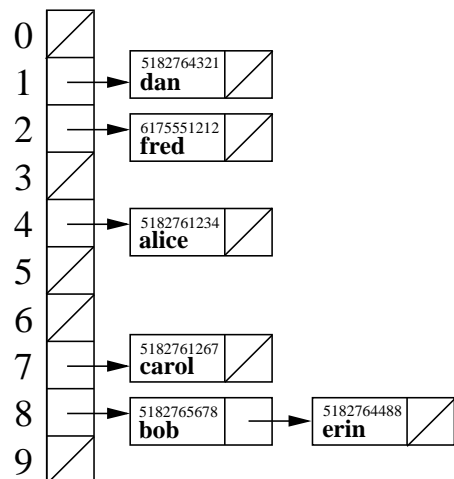
**Exercise:** What's the memory usage for the map-based Caller ID system?  
 What's the expected running time for find, insert, and erase?

### 19.6 Now let's implement Caller ID with a Hash Table

```
#define PHONEBOOK_SIZE 10

class Node {
public:
    int number;
    string name;
    Node* next;
};

// create the phonebook, initially all numbers are unassigned
Node* phonebook[PHONEBOOK_SIZE];
for (int i = 0; i < PHONEBOOK_SIZE; i++) {
    phonebook[i] = NULL;
}
```



```

// corresponds a phone number to a slot in the array
int hash_function(int number) {

}

// add a number, name pair to the phonebook
void add(Node* phonebook[PHONEBOOK_SIZE], int number, string name) {

}

// given a phone number, determine who is calling
void identify(Node* phonebook[PHONEBOOK_SIZE], int number) {

}

```

## 19.7 Exercise: Choosing a Hash Function

- What's a good hash function for this application?
- What's a bad hash function for this application?

## 19.8 Exercise: Hash Table Performance

- What's the memory usage for the hash-table-based Caller ID system?
- What's the expected running time for find, insert, and erase?

## 19.9 What makes a Good Hash Function?

- Goals: **fast  $O(1)$  computation** and a **random, uniform distribution of keys throughout the table**, *despite the actual distribution of keys that are to be stored.*
- For example, using:  $f(k) = \text{abs}(k)\%N$  as our hash function satisfies the first requirement, but may not satisfy the second.
- Another example of a dangerous hash function on string keys is to add or multiply the ascii values of each char:

```

unsigned int hash(string const& k, unsigned int N) {
    unsigned int value = 0;
    for (unsigned int i=0; i<k.size(); ++i)
        value += k[i]; // conversion to int is automatic
    return k % N;
}

```

The problem is that different permutations of the same string result in the same hash table location.

- This can be improved through multiplications that involve the position and value of the key:

```

unsigned int hash(string const& k, unsigned int N) {
    unsigned int value = 0;
    for (unsigned int i=0; i<k.size(); ++i)
        value = value*8 + k[i]; // conversion to int is automatic
    return k % N;
}

```

- The 2nd method is better, but can be improved further. The theory of good hash functions is quite involved and beyond the scope of this course.

## 19.10 How do we Resolve Collisions? METHOD 1: Separate Chaining

- Each table location stores a linked list of keys (and values) hashed to that location (as shown above in the phonebook hashtable). Thus, the hashing function really just selects which list to search or modify.
- This works well when the number of items stored in each list is small, e.g., an average of 1. Other data structures, such as binary search trees, may be used in place of the list, but these have even greater overhead considering the (hopefully, very small) number of items stored per bin.

## 19.11 How do we Resolve Collisions? METHOD 2: Open Addressing

- In *open addressing*, when the chosen table location already stores a key (or key-value pair), a different table location is sought in order to store the new value (or pair).
- Here are three different open addressing variations to handle a collision during an *insert* operation:
  - *Linear probing*: If  $i$  is the chosen hash location then the following sequence of table locations is tested (“probed”) until an empty location is found:

$(i+1)\%N, (i+2)\%N, (i+3)\%N, \dots$

- *Quadratic probing*: If  $i$  is the hash location then the following sequence of table locations is tested:

$(i+1)\%N, (i+2*2)\%N, (i+3*3)\%N, (i+4*4)\%N, \dots$

More generally, the  $j^{\text{th}}$  “probe” of the table is  $(i + c_1j + c_2j^2) \bmod N$  where  $c_1$  and  $c_2$  are constants.

- *Secondary hashing*: when a collision occurs a second hash function is applied to compute a new table location. This is repeated until an empty location is found.
- For each of these approaches, the *find* operation follows the same sequence of locations as the *insert* operation. The key value is determined to be absent from the table only when an empty location is found.
- When using open addressing to resolve collisions, the *erase* function must mark a location as “formerly occupied”. If a location is instead marked empty, *find* may fail to return elements in the table. Formerly-occupied locations may (and should) be reused, but only after the *find* operation has been run to completion.
- Problems with open addressing:
  - Slows dramatically when the table is nearly full (e.g. about 80% or higher). This is particularly problematic for linear probing.
  - Fails completely when the table is full.
  - Cost of computing new hash values.

## 19.12 Hash Table in STL?

The Standard Template Library standard and implementation of hash table is slowly evolving. Depending on your system, you will use: `unordered_set` and `unordered_map` (proposed revisions to STL in TR1/C++0x/C++11) or `hash_set` and `hash_map` (an older, temporary collection of extensions).

## 19.13 Our Copycat Version: A Set As a Hash Table

- The class is templated over both the key type and the hash function type.

```
template < class KeyType, class HashFunc >
class ds_hashset {
    ...
}
```

- We use separate chaining for collision resolution. Hence the main data structure inside the class is:

```
std::vector< std::list<KeyType> > m_table;
```

- We will use automatic resizing when our table is too full. Resize is expensive of course, so similar to the automatic reallocation that occurs inside the vector `push_back` function, we at least double the size of underlying structure to ensure it is rarely needed.

## 19.14 Function Objects, a.k.a. *Functors*

- The hash function (both in the STL hash table implementation, and our copycat version) is implemented as an object with a function call operator (a “functor”).
- The basic form of the function call operator is shown below. Any specific number of arguments can be used.

```
class my_class_name {
public:
    // ... normal class stuff ...
    my_return_type operator() ( *** args *** );
};
```

- Here is an example of a templated function object implementing the less-than comparison operation. This is the default 3rd argument to `std::sort`.

```
template <class T> class less_than {
public:
    bool operator() (const T& x, const T& y) { return x<y; }
};
```

- More interestingly... Constructors of functions objects can be used to specify *internal data* for the functor that can then be used during computation of the function call operator! For example:

```
class between_values {
private:
    int x, y;
public:
    between_values(int in_x, int in_y) : x(in_x), y(in_y) {}
    bool operator() (int z) { return x <= z && z <= y; }
}
```

`x` & `y` are specified when the functor is created. The functor accepts a single argument `z` that it compares against the internal data `x` & `y`. This can be used in combination with `find_if`. An example use with a vector of integers, `v`:

```
between_values low_range(-99, 99);
if (std::find_if(v.begin(), v.end(), low_range) != v.end())
    std::cout << "A value between -99 and 99 is in the vector.\n";
```

## 19.15 Our Hash Function Object

```
class hash_string_obj {
public:
    unsigned int operator() (std::string const& key) const {
        // This implementation comes from http://www.partow.net/programming/hashfunctions/
        unsigned int hash = 1315423911;
        for(unsigned int i = 0; i < key.length(); i++)
            hash ^= ((hash << 5) + key[i] + (hash >> 2));
        return hash;
    }
};
```

The type `hash_string_obj` is one of the template parameters to the declaration of a `ds_hashset`. E.g.,

```
ds_hashset<std::string, hash_string_obj> my_hashset;
```

## 19.16 Hash Set Iterators

- Iterators move through the hash table in the order of the storage locations rather than the ordering imposed by (say) an `operator<`. Thus, the visiting/printing order depends on the hash function and the table size.
  - Hence the increment operators must move to the next entry in the current linked list or, if the end of the current list is reached, to the first entry in the next non-empty list.

- The declaration is nested inside the `ds_hashset` declaration in order to avoid explicitly templating the iterator over the hash function type.
- The iterator must store:
  - A pointer to the hash table it is associated with. This reflects a subtle point about types: even though the `iterator` class is declared inside the `ds_hashset`, this does not mean an iterator automatically knows about any particular `ds_hashset`.
  - The index of the current list in the hash table.
  - An iterator referencing the current location in the current list.
- Because of the way the classes are nested, the `iterator` class object must declare the `ds_hashset` class as a friend, but the reverse is unnecessary.

### 19.17 Implementing `begin()` and `end()`

- `begin()`: Skips over empty lists to find the first key in the table. It must tie the iterator being created to the particular `ds_hashset` object it is applied to. This is done by passing the `this` pointer to the iterator constructor.
- `end()`: Also associates the iterator with the specific table, assigns an index of -1 (indicating it is not a normal valid index), and thus does not assign the particular list iterator.
- **Exercise:** Implement the `begin()` function.

### 19.18 Iterator Increment, Decrement, & Comparison Operators

- The increment operators must find the next key, either in the current list, or in the next non-empty list.
- The decrement operator must check if the iterator in the list is at the beginning and if so it must proceed to find the previous non-empty list and then find the last entry in that list. This might sound expensive, but remember that the lists should be very short.
- The comparison operators must accommodate the fact that when (at least) one of the iterators is the `end`, the internal list iterator will not have a useful value.

### 19.19 Insert & Find

- Computes the hash function value and then the index location.
- If the key is already in the list that is at the index location, then no changes are made to the set, but an iterator is created referencing the location of the key, a pair is returned with this iterator and `false`.
- If the key is not in the list at the index location, then the key should be inserted in the list (at the front is fine), and an iterator is created referencing the location of the newly-inserted key a pair is returned with this iterator and `true`.
- **Exercise:** Implement the `insert()` function, ignoring for now the `resize` operation.
- Find is similar to insert, computing the hash function and index, followed by a `std::find` operation.

### 19.20 Erase

- Two versions are implemented, one based on a key value and one based on an iterator. These are based on finding the appropriate iterator location in the appropriate list, and applying the list erase function.

### 19.21 Resize

- Must copy the contents of the current vector into a scratch vector, resize the current vector, and then re-insert each key into the resized vector. **Exercise:** Write `resize()`

### 19.22 Hash Table Iterator Invalidation

- Any insert operation invalidates *all* `ds_hashset` iterators because the insert operation could cause a resize of the table. The erase function only invalidates an iterator that references the current object.

```

#include <iosstream>
#include <list>
#include <string>
#include <vector>

// The ds_hashset is templated over both the type of key and the type
// of the hash function, a function object.
template < class KeyType, class HashFunc >
class ds_hashset {
private:
    typedef typename std::list<KeyType>::iterator hash_list_itr;

public:
    // =====
    // THE ITERATOR CLASS
    // Defined as a nested class and thus is not separately templated.

    class iterator {
    public:
        friend class ds_hashset; // allows access to private variables
    private:
        // ITERATOR REPRESENTATION
        ds_hashset* m_hs;
        int m_index; // current index in the hash table
        hash_list_itr m_list_itr; // current iterator at the current index

    private:
        // private constructors for use by the ds_hashset only
        iterator(ds_hashset* hs) : m_hs(hs), m_index(-1) {}
        iterator(ds_hashset* hs, int index, hash_list_itr loc)
            : m_hs(hs), m_index(index), m_list_itr(loc) {}

    public:
        // Ordinary constructors & assignment operator
        iterator() : m_hs(0), m_index(-1) {}
        iterator(iterator const& itr)
            : m_hs(itr.m_hs), m_index(itr.m_index), m_list_itr(itr.m_list_itr) {}
        iterator& operator=(const iterator& old) {
            m_hs = old.m_hs;
            m_index = old.m_index;
            m_list_itr = old.m_list_itr;
            return *this;
        }

        // The dereference operator need only worry about the current
        // list iterator, and does not need to check the current index.
        const KeyType& operator*() const { return *m_list_itr; }

        // The comparison operators must account for the list iterators
        // being unassigned at the end.
        friend bool operator==(const iterator& lft, const iterator& rgt)
        { return lft.m_hs == rgt.m_hs && lft.m_index == rgt.m_index &&
            (lft.m_index == -1 || lft.m_list_itr == rgt.m_list_itr); }
        friend bool operator!=(const iterator& lft, const iterator& rgt)
        { return lft.m_hs != rgt.m_hs || lft.m_index != rgt.m_index ||
            (lft.m_index != -1 && lft.m_list_itr != rgt.m_list_itr); }
};

// =====

// increment and decrement
iterator& operator++() {
    this->next();
    return *this;
}
iterator operator++(int) {
    iterator temp(*this);
    this->next();
    return temp;
}
iterator& operator--() {
    this->prev();
    return *this;
}
iterator operator--(int) {
    iterator temp(*this);
    this->prev();
    return temp;
}

private:
    // Find the next entry in the table
    void next() {
        ++ m_list_itr; // next item in the list

        // If we are at the end of this list
        if (m_list_itr == m_hs->m_table[m_index].end()) {
            // Find the next non-empty list in the table
            for (++m_index;
                m_index < int(m_hs->m_table.size()) && m_hs->m_table[m_index].empty();
                ++m_index) {}

            // If one is found, assign the m_list_itr to the start
            if (m_index != int(m_hs->m_table.size()))
                m_list_itr = m_hs->m_table[m_index].begin();

            // Otherwise, we are at the end
            else
                m_index = -1;
        }
    }

    // Find the previous entry in the table
    void prev() {
        // If we aren't at the start of the current list, just decrement
        // the list iterator
        if (m_list_itr != m_hs->m_table[m_index].begin())
            m_list_itr--;
    }
    else {
        // Otherwise, back down the table until the previous
        // non-empty list in the table is found
        for (--m_index; m_index >= 0 && m_hs->m_table[m_index].empty(); --m_index) {}

        // Go to the last entry in the list.
        m_list_itr = m_hs->m_table[m_index].begin();
        hash_list_itr p = m_list_itr; ++p;
        for (; p != m_hs->m_table[m_index].end(); ++p, ++m_list_itr) {}
    }
};
// end of ITERATOR CLASS
// =====

```

```

private:
// =====
// HASH SET REPRESENTATION
std::vector< std::list<KeyType> > m_table; // actual table
HashFunc m_hash; // hash function
unsigned int m_size; // number of keys

public:
// =====
// HASH SET IMPLEMENTATION
// Constructor for the table accepts the size of the table. Default
// constructor for the hash function object is implicitly used.
ds_hashset(unsigned int init_size = 10) : m_table(init_size), m_size(0) {}

// Copy constructor just uses the member function copy constructors.
ds_hashset(const ds_hashset<KeyType, HashFunc>& old)
: m_table(old.m_table), m_size(old.m_size) {}

~ds_hashset() {}

ds_hashset& operator=(const ds_hashset<KeyType, HashFunc>& old) {
    if (&old != this)
        *this = old;
}

unsigned int size() const { return m_size; }

// Insert the key if it is not already there.
std::pair< iterator, bool > insert(keyType const& key) {
    const float LOAD_FRACTION_FOR_RESIZE = 1.25;

    if (m_size >= LOAD_FRACTION_FOR_RESIZE * m_table.size())
        this->resize_table(2*m_table.size()+1);

    // implemented in class
}

// Find the key, using hash function, indexing and list find
iterator find(const KeyType& key) {
    unsigned int hash_value = m_hash(key);
    unsigned int index = hash_value % m_table.size();
    hash_list_itr p = std::find(m_table[index].begin(),
                               m_table[index].end(), key);
    if (p == m_table[index].end())
        return this->end();
    else
        return iterator(this, index, p);
}

// Erase the key
int erase(const KeyType& key) {
    // Find the key and use the erase iterator function.
    iterator p = find(key);
    if (p == end())
        return 0;
    else {
        erase(p);
        return 1;
    }
}

// Erase at the iterator
void erase(iterator p) {
    m_table[p.m_index].erase(p.m_list_itr);
}

// Find the first entry in the table and create an associated iterator
iterator begin() {
    // implemented in class
}

// Create an end iterator.
iterator end() {
    iterator p(this);
    p.m_index = -1;
    return p;
}

// A public print utility.
void print(std::ostream & ostr) {
    for (unsigned int i=0; i<m_table.size(); ++i) {
        ostr << i << " ";
        for (hash_list_itr p = m_table[i].begin(); p != m_table[i].end(); ++p)
            ostr << ' ' << *p;
        ostr << std::endl;
    }
}

private:
// resize the table with the same values but a
void resize_table(unsigned int new_size) {
    // implemented in class
}
};
#endif

```