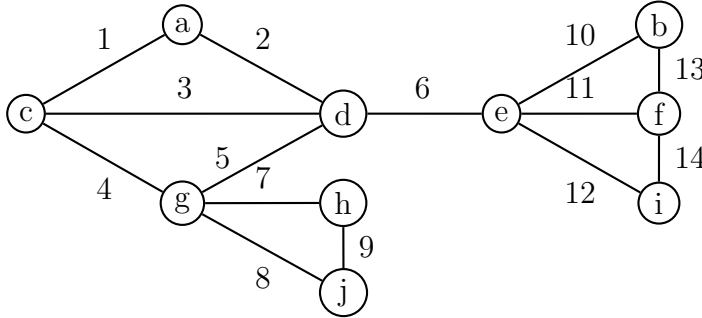


Weekly Problems 12

Due: 19 April 2024 at midnight EST as a PDF on Submittity
v1.0: Last Updated April 8, 2024

1. Construct the line graph $L(G)$ for G below: (5 pts)



2. Find a proper edge coloring of the above G by utilizing the greedy vertex coloring algorithm on $L(G)$ with the given labels as an ordering. Is this edge coloring optimal? How do you know based on the bounds we discussed? (5 pts)